

# TRIUMPH STADIUM CHAIR



## Standard Features of the 2555 Triumph Chair

1. Limited Lifetime Warranty
2. Design Layout and Installation Co-Ordination
3. Chair Widths: 19", 20", 21", 22", 23" and 24"
4. Chairs can be of the floor and/or riser attached type with blow molded plastic seat and back
5. All metal Legs shall be of die cast aluminum, Hinges to be Die Cast Ductile Iron
6. Chairs shall have a mechanism for automatically lifting the seat to a uniform full folded position.
7. Plastics shall be one piece, dual-wall High Density Polyethylene with in-molded UV stabilizers
8. Color of plastic shall be selected from manufacturers standard color range
9. All metal components are shot blasted, cleaned and smoothed after the casting process.
10. All metal parts receive a waterborne, black, cathodic deposition primer to seal the part against corrosion.
11. All metal parts receive a UV stable, polyester powder coat finish. Selected from manufacturer's standard color range.
12. All Installation assembly hardware shall be zinc-plated.
13. Bolts and nuts for attaching backs and seats to standards and hinges shall be stainless steel.



**TRIUMPH  
STADIUM  
CHAIR**



**GLOBAL  
SPORT  
RESOURCES**  
1-877-GSR-8007

**MODEL 2555**

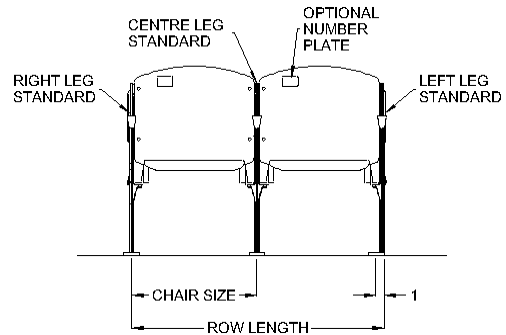
# DATA SHEET

**STANDARD FEATURES:**

**SEAT & BACK:** SOLID, CONTOURED, HIGH DENSITY BLOW-MOLDED PLASTIC WITH DOUBLE WALLED CONSTRUCTION, NO-STICK SURFACE TEXTURING, THRU COLORING, AND UV STABILIZER. THE SEAT BOTTOM ALSO HAS A NO-PINCH WATER-FALL FRONT EDGE.

**LIFT SYSTEM:** DUAL-ACTION, PLATED, MULTIPLE SPRING SYSTEM WITH CAST DUCTILE IRON STEEL HINGES AND LONG WEARING NYLON BEARINGS.

**METAL FINISH:** CATHOTIC E-COAT PRIMER AND POWDER COAT TOP COAT ISO 9001:2000 & ISO/TS 16949:2000 COMPLIANT  
CALIFORNIA TECHNICAL BULLETIN 117 COMPLIANT



**OPTIONAL FEATURES**

- CUP HOLDERS: REAR OR FRONT MOUNTED
- NUMBER & LETTER PLATES
- DONOR & TEAM DECAL PLATES

**UPHOLSTERY:**

- SEMI-UPHOLSTERED SEAT AND BACK  
FABRIC COVERED 1" OR 2" PADDING

**CONCRETE REQUIREMENTS**

FLOOR MOUNTED CHAIRS: 3" THICK, AND FREE FROM OBSTRUCTION FOR 1 1/2" FROM THE TOP SURFACE

RISER MOUNTED CHAIRS: 4" THICK AND FREE FROM OBSTRUCTIONS FOR 2 1/2" FROM FACE OF RISER.  
RISER TO BE PLUMB (PLUS OR MINUS 1/8") MINIMUM 3000 PSI

