

The  
*Harmony* from  
chair

GLOBAL SPORT RESOURCES LTD.  
504 67 Avenue NW  
Edmonton, AB T6P 1S2  
Toll Free: 1-877-GSR-8007 (1-877-477-8007)  
Fax: (780) 463-7988  
Email: info@globalsportresources.com



*The "Environmentally Friendly" Chair for Educational, Worship and Performing Arts Seating*



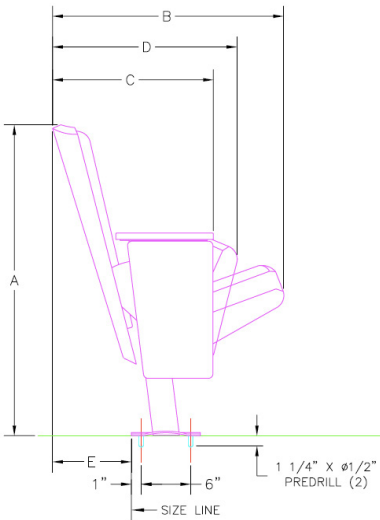
**MODEL # 3310/3510**  
(33" and 35" back heights)

- Advanced Design Lumbar Support
- Exclusive Dymetrol® Seat Suspension System
- Full-Depth 3" Molded Seat Foam
- Gravity Actuated Self-Lifting Seat Mechanism with a Continuous 5/8" Diameter Pivot Rod with No Springs
- 33" (3310) and 35" (3510) Backs Available
- Inner Back is Made of 100% Post-Consumer Recycled Compression Molded Plastic Which is Far Superior to Plywood and Blow-Molded Plastic
- 14 Gauge Continuous Welded Rectangular Steel Standards
- End Panels and Armrests are Made of 3D Laminate Over 5/8" Thick MDF
- High Density 2" Thick Back Foam

#### OPTIONS

- Tablet Arms
- Wood Outer Back Panel
- Solid Hardwood Armrests and End Panels
- Cup Holder Armrest
- Fully Upholstered Outer Back and Seat Assembly
- Number and Letter Plates
- Aisle Lights
- Power and Data Capabilities

## Harmony Model # 33/3510



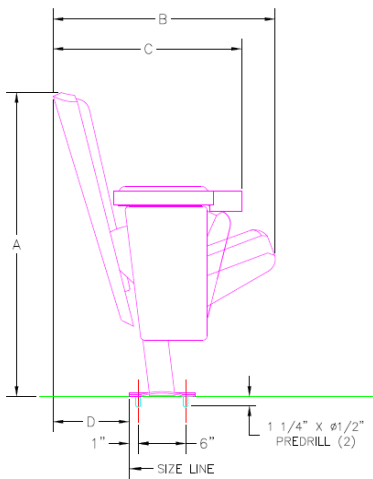
### # 3510 Harmony Regular Armrest - Floor Mount

DIMENSIONS:  
 "A" = BACK HEIGHT  
 "B" = SEAT IN DOWN POSITION  
 "C" = REAR OF BACK TO FRONT OF ARMREST  
 "D" = SEAT IN 3/4 FOLD UP POSITION  
 "E" = BACK PITCH ALLOWANCE

DIM.	BACK PITCH		
	16"	20"	24"
A	36 1/4	35 3/4	35
B	26	27 1/2	29 1/2
C	17 1/4	19	20 3/4
D	20 1/4	21 1/2	23 1/4
E	7 3/4	9	11 1/4

### STANDARD FEATURES

- CHAIR WIDTHS: 19", 20", 21" 22" and 23".
- STANDARD: 1" x 3" 14 Gauge Steel.
- METAL FINISH: Powder Coat.
- INNER BACK ASSEMBLY: 33" or 35" High Back with 2" High Density Foam, 100% Post-Consumer, Recycled Compression Molded Inner Panel.
- OUTER BACK: One-piece Injection Molded with Textured Surface.
- BACK PITCHES: 12°, 16°, 20° and 24°
- SEAT: Fabric Covered, 3" Shaped High Density Molded Foam. Supported by Dymetrol® Seat Suspension with Reinforced Plastic Seat Frame.
- LIFT SYSTEM: Gravity Lift with 5/8" Diameter Steel Pivot Rod.
- ARMREST: 3D Laminate Over MDF Core.
- FABRIC: Standard Specification for Woven Upholstery Fabric - Plain, Tufted, or Flocked.
- END PANEL: 3D Laminate Over MDF Core.
- ADA (Americans with Disabilities Act) COMPLIANT.
- FIRE CODE: TB 117 Compliant.



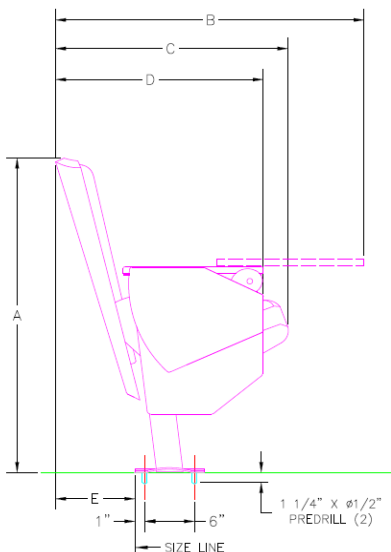
### # 3510 Harmony Cupholder Armrest - Floor Mount

DIMENSIONS:  
 "A" = BACK HEIGHT  
 "B" = SEAT IN DOWN POSITION  
 "C" = REAR OF BACK TO FRONT OF ARMREST  
 "D" = BACK PITCH ALLOWANCE

DIM.	BACK PITCH		
	16"	20"	24"
A	36 1/4	35 3/4	35
B	26	27 1/2	29 1/2
C	21 1/4	23	24 3/4
D	7 3/4	9	11 1/4

### OPTIONAL FEATURES

- ARMREST: Plastic Cupholder, Solid Hardwood.
- FOLDING TABLET ARM: 20" - 23" Chairs Sizes Only. Left or Right Hand.
- END PANEL: Upholstered or Solid Hardwood.
- aisle LIGHTS: Concealed Under Armrest or on End Panel.
- NUMBER & LETTER PLATES: Etched Aluminum in Silver and Bronze Finishes.
- CUSTOM LOGO & DONOR PLATES
- SEAT: Fully Upholstered.
- DATA & POWER TRACK
- REMOVABLE BASES: 1, 2, and 3 Chair Units.
- CALIFORNIA TB 133 UPHOLSTERY FABRIC LINER



### # 3510 Harmony Tablet - Large - Floor Mount

DIMENSIONS:  
 "A" = BACK HEIGHT  
 "B" = TABLET IN USER POSITION  
 "C" = SEAT IN DOWN POSITION  
 "D" = TABLET IN STOWED POSITION  
 "E" = BACK PITCH ALLOWANCE

DIM.	BACK PITCH		
	16"	20"	24"
A	36 1/4	35 3/4	35
B	32 1/4	33 1/2	35 3/4
C	26	27 1/2	29 1/2
D	22 1/2	23 3/4	26
E	7 3/4	9	11 1/4

OVERSIZE TABLET ARM (135.Sq.Inches)

REGULAR TABLET ARM (110.Sq.Inches)

